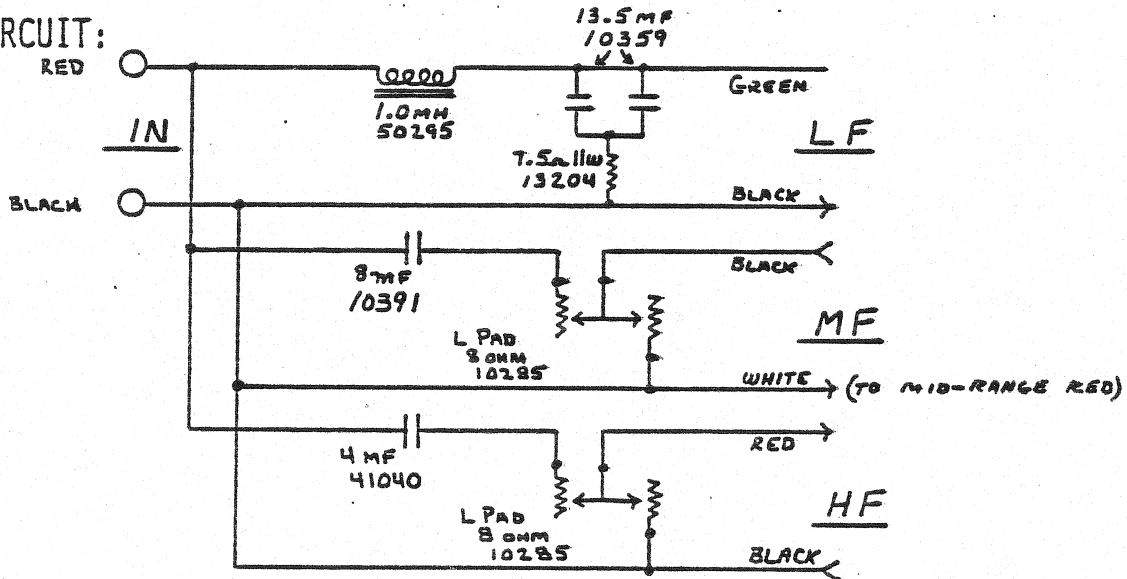


SPECIFICATIONS: NOTE ① $\pm 1\frac{1}{2}$ dB

LOAD Z	LOW PASS	CROSS OVER	HIGH PASS	ATTENUATION
8	500HZ	1.1KHZ	4KHZ	4KHZ
	LF -1	LF -7	LF -18	
	MF -14	MF -7	MF -1	MF VAR.
8	1KHZ	1.5KHZ	4KHZ	4KHZ
	LF -6	LF -10	LF -18	
	HF -13	HF -10	HF -3	HF VAR.

CIRCUIT:



NOTES:

- ① USE STANDARD TEST FIXTURE